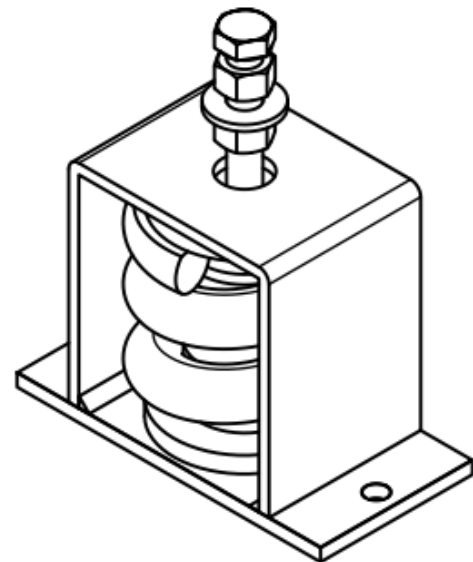


## Linha Mola Sísmica



| Referência | Capacidade de Carga | Altura Total | Dimensões da Caixa | Diâmetro do Arame da Mola | Deflexão    | Parafuso de Ajuste  | Dimensões da Chapa | Diâmetro do Furo/Distância entre Furos | Frequência Natural |
|------------|---------------------|--------------|--------------------|---------------------------|-------------|---------------------|--------------------|--|--------------------|
| MSIS30     | 30 Kgf              | 86           | 80 x 75 x 5        | 5                         | 7,09/30     | 3/8",1/2",5/8",3/4" | 150 x 75 x 6       | 10 x 130                               | 5                  |
| MSIS50     | 50 Kgf              | 86           | 80 x 75 x 5        | 6                         | 6,76/50     | 3/8",1/2",5/8",3/4" | 150 x 75 x 6       | 10 x 130                               | 5                  |
| MSIS100    | 100 Kgf             | 86           | 80 x 75 x 5        | 7,5                       | 8,45/100    | 3/8",1/2",5/8",3/4" | 150 x 75 x 6       | 10 x 130                               | 5                  |
| MSIS200    | 200 Kgf             | 86           | 80 x 75 x 5        | 9,5                       | 9,24/200    | 3/8",1/2",5/8",3/4" | 150 x 75 x 6       | 10 x 130                               | 5                  |
| MSIS300    | 300 Kgf             | 86           | 80 x 75 x 5        | 10                        | 11,19/300   | 3/8",1/2",5/8",3/4" | 150 x 75 x 6       | 10 x 130                               | 5                  |
| MSIS400    | 400 Kgf             | 86           | 80 x 75 x 5        | 11                        | 10,76/400   | 3/8",1/2",5/8",3/4" | 150 x 75 x 6       | 10 x 130                               | 5                  |
| MSIS500    | 500 Kgf             | 102          | 99 x 75 x 5        | 12,7                      | 12,30/500   | 3/8",1/2",5/8",3/4" | 150 x 75 x 6       | 10 x 130                               | 5                  |
| MSIS700    | 700 Kgf             | 102          | 99 x 75 x 5        | 14                        | 12,99/700   | 3/8",1/2",5/8",3/4" | 150 x 75 x 6       | 10 x 130                               | 5                  |
| MSIS1000   | 1000 Kgf            | 102          | 99 x 75 x 5        | 16                        | 13,05/1.000 | 3/8",1/2",5/8",3/4" | 150 x 75 x 6       | 10 x 130                               | 5                  |
| MSIS1500   | 1500 Kgf            | 102          | 99 x 75 x 5        | 17,5                      | 15,19/1.500 | 3/8",1/2",5/8",3/4" | 150 x 75 x 6       | 10 x 130                               | 5                  |
| MSIS2000   | 2000 Kgf            | 102          | 99 x 75 x 5        | 17,5                      | 10,80/2.000 | 3/8",1/2",5/8",3/4" | 150 x 75 x 6       | 10 x 130                               | 5                  |
| MSIS2500   | 2500 Kgf            | 111          | 99 x 75 x 5        | 19                        | 21,00/2.500 | 3/8",1/2",5/8",3/4" | 150 x 75 x 6       | 10 x 130                               | 5                  |
| MSIS3000   | 3000 Kgf            | 111          | 99 x 75 x 5        | 21                        | 15,64/3.000 | 3/8",1/2",5/8",3/4" | 150 x 75 x 6       | 10 x 130                               | 5                  |

