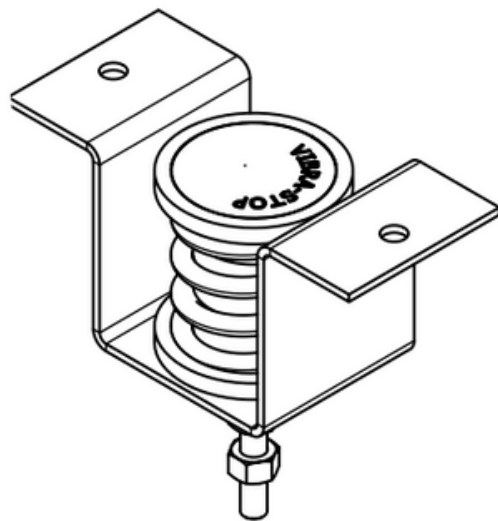


Linha Mola Tração PREMIUM



Referência	Capacidade de Carga	Altura Total	Dimensões da Caixa	Diâmetro do Arame da Mola	Deflexão	Parafuso de Ajuste	Dimensões da Chapa	Diâmetro do Furo/Distância entre Furos	Frequência Natural
MTPR 30	30 Kgf	85 mm	75 x 85	5	7,09/30	3/8", 1/2", 5/8", 3/4"	170 x 75 x 3	10 x 140	5
MTPR 50	50 Kgf	85 mm	75 x 85	6	6,76/50	3/8", 1/2", 5/8", 3/4"	170 x 75 x 3	10 x 140	5
MTPR 100	100 Kgf	85 mm	75 x 85	7,5	8,45/100	3/8", 1/2", 5/8", 3/4"	170 x 75 x 3	10 x 140	5
MTPR 200	200 Kgf	85 mm	75 x 85	9,5	9,24/200	3/8", 1/2", 5/8", 3/4"	170 x 75 x 3	10 x 140	5
MTPR 300	300 Kgf	85 mm	75 x 85	10	11,19/300	3/8", 1/2", 5/8", 3/4"	170 x 75 x 3	10 x 140	5
MTPR 400	400 Kgf	85 mm	75 x 85	11	10,76/400	3/8", 1/2", 5/8", 3/4"	170 x 75 x 3	10 x 140	5
MTPR 500	500 Kgf	103 mm	75 x 110	12,7	12,30/500	3/8", 1/2", 5/8", 3/4"	170 x 75 x 5	10 x 150	5
MTPR 700	700 Kgf	103 mm	75 x 110	14	12,99/700	3/8", 1/2", 5/8", 3/4"	170 x 75 x 5	10 x 150	5
MTPR 1000	1000 Kgf	103 mm	75 x 110	16	13,05/1000	3/8", 1/2", 5/8", 3/4"	170 x 75 x 5	10 x 150	5
MTPR 1500	1500 Kgf	103 mm	75 x 110	17,5	15,19/1500	3/8", 1/2", 5/8", 3/4"	170 x 75 x 5	10 x 150	5
MTPR 2000	2000 Kgf	103 mm	75 x 110	17,5	10,80/2000	3/8", 1/2", 5/8", 3/4"	170 x 75 x 5	10 x 150	5
MTPR 2500	2500 Kgf	110 mm	75 x 110	19	21,00/2500	3/8", 1/2", 5/8", 3/4"	170 x 75 x 5	10 x 150	5
MTPR 3000	3000 Kgf	110 mm	75 x 110	21	15,64/3000	3/8", 1/2", 5/8", 3/4"	170 x 75 x 5	10 x 150	5

