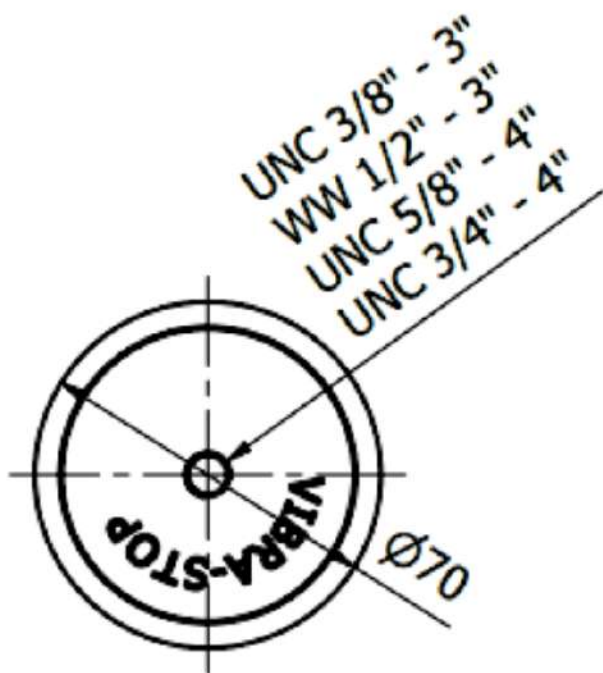


# FIXOTRAVAS

## Linha Mola Simples SEM CHAPA



Referência	Carga estática por peça	Altura	Diâmetro Externo	Diâmetro do Arame da Mola	Especificação do Aço	Deflexão	Parafusos de ajustes	Capacidade de Isolação
MSSC30	30 kg	75 mm	70 mm	5 mm	SAE 1070	7,09 mm/ 30 kg	3/8", 1/2", 5/8", 3/4"	97%
MSSC50	50 kg	75 mm	70 mm	6 mm	SAE 1070	6,76 mm/ 50 kg	3/8", 1/2", 5/8", 3/4"	97%
MSSC100	100 kg	75 mm	70 mm	7,5 mm	SAE 1070	8,45 mm/ 100 kg	3/8", 1/2", 5/8", 3/4"	97%
MSSC200	200 kg	75 mm	70 mm	9,5 mm	SAE 1070	9,24 mm/ 200 kg	3/8", 1/2", 5/8", 3/4"	97%
MSSC300	300 kg	75 mm	70 mm	10 mm	SAE 1070	11,19 mm/ 300 kg	3/8", 1/2", 5/8", 3/4"	97%
MSSC400	400 kg	75 mm	70 mm	11 mm	SAE 1070	10,76 mm/ 400 kg	3/8", 1/2", 5/8", 3/4"	97%
MSSC500	500 kg	90 mm	70 mm	12,7 mm	SAE 5160	12,30 mm/ 500 kg	3/8", 1/2", 5/8", 3/4"	97%
MSSC700	700 kg	90 mm	70 mm	14 mm	SAE 5160	12,99 mm/ 700 kg	3/8", 1/2", 5/8", 3/4"	97%
MSSC1000	1000 kg	90 mm	70 mm	16 mm	SAE 5160	13,05 mm/ 1000 kg	3/8", 1/2", 5/8", 3/4"	97%
MSSC1500	1500 kg	90 mm	70 mm	17,5 mm	SAE 5160	15,19 mm/ 1500 kg	3/8", 1/2", 5/8", 3/4"	97%
MSSC2000	2000 kg	90 mm	70 mm	17,5 mm	SAE 5160	10,80 mm/ 2000 kg	3/8", 1/2", 5/8", 3/4"	97%
MSSC2500	2500 kg	90 mm	70 mm	19 mm	SAE 5160	21,00 mm/ 2500 kg	3/8", 1/2", 5/8", 3/4"	97%
MSSC3000	3000 kg	90 mm	70 mm	21 mm	SAE 5160	15,64 mm/ 3000 kg	3/8", 1/2", 5/8", 3/4"	97%



75 mm Molas até 400 kgf  
90 mm Molas 500 até 2.000 kgf  
98 mm Molas 2.500 até 3.000 kgf

